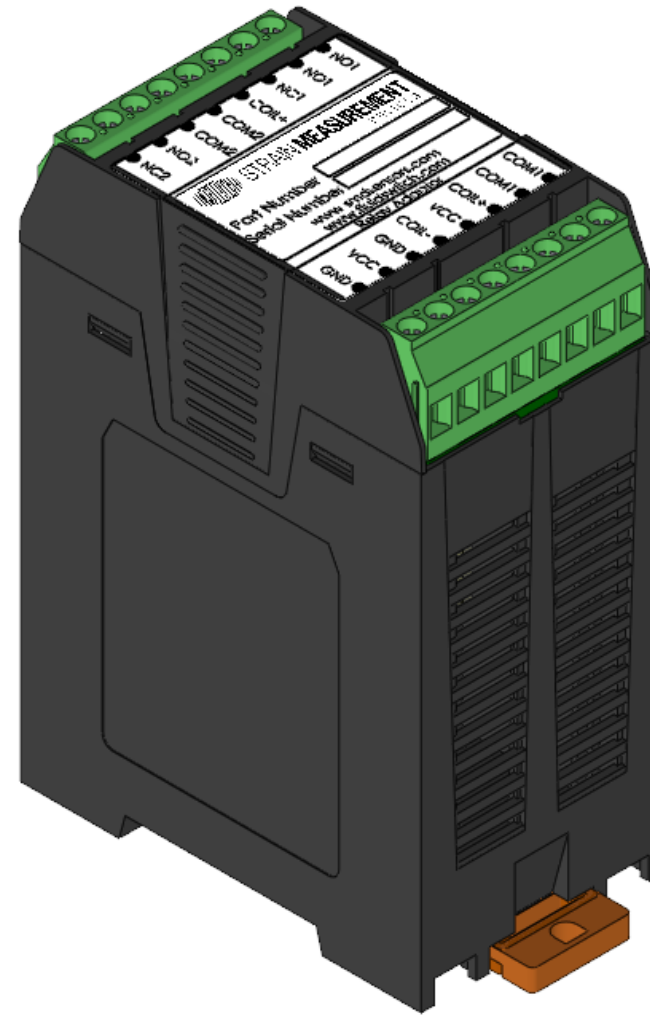
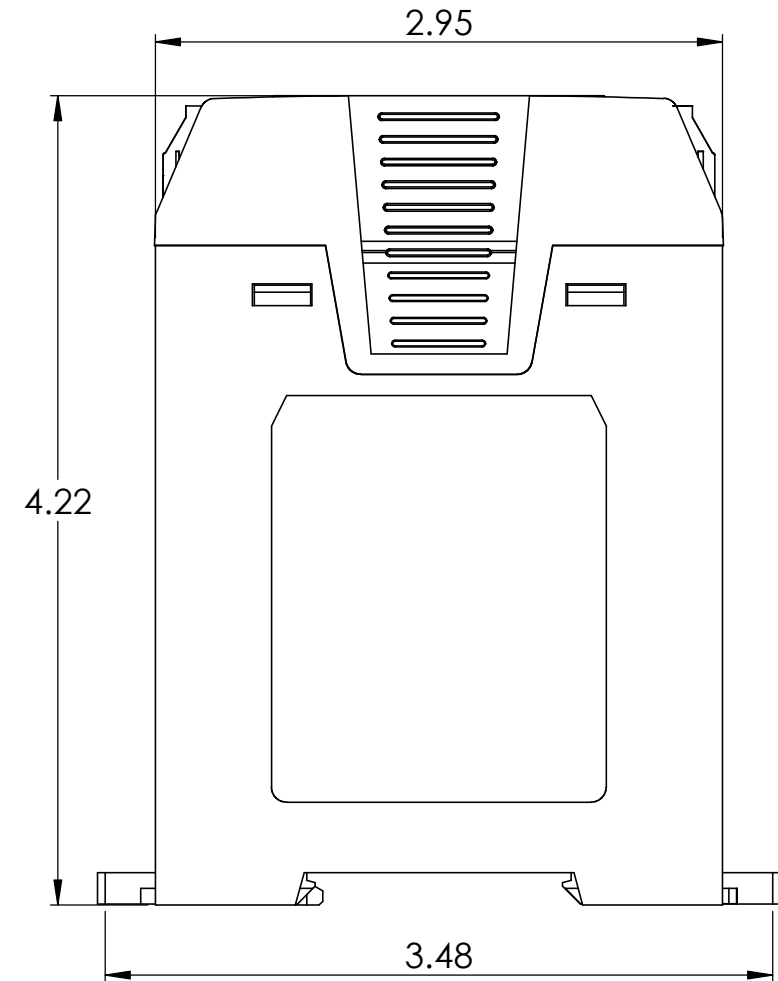
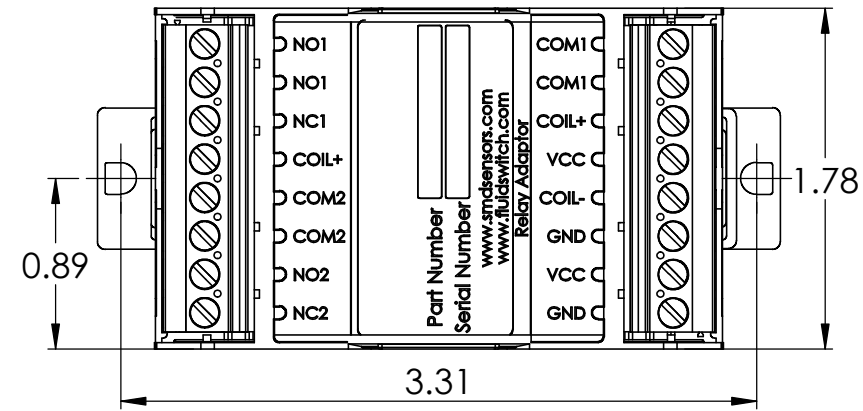


REVISIONS			
MOD No.	REV.	DRAWN BY:	DATE
3952	1	KNR	10/6/21



PART NUMBER TABLE	
PN:	VOLTAGE:
SMD8543-002-D006	6VDC
SMD8543-002-D012	12VDC
SMD8543-002-D024	24VDC
SMD8543-002-A012	12VAC
SMD8543-002-A024	24VAC
SMD8543-002-A048	48VAC

PRODUCT SPECIFICATION	
COIL VOLTAGE OPTIONS	6VDC, 12VDC, 24VDC 12VAC, 24VAC, 48VAC
MOUNTING OPTION	WALL OR DIN RAIL
WIRE RANGE	14-30 AWG
MOUNTING SCREW SIZE	M4

PRODUCT SPECIFICATION

UNLESS OTHERWISE SPECIFIED: BREAK SHARP EDGES .003-.015. REMOVE ALL BURRS. SURFACES TO BE SQUARE &/OR PARALLEL W/IN .005 X/X = ±1/64" .XXX = ±.005" .X = ±.030" .XXXX = ±.001" .XX = ±.010" ANGLES = ±2° SURFACE FINISH 32/				55 Barnes Park Rd. North Wallingford, CT 06492 Telephone: (203) 294-5800 www.smdsensors.com	
BREAK SHARP EDGES .08-.4. REMOVE ALL BURRS. SURFACES TO BE SQUARE &/OR PARALLEL W/IN .127 .Xmm = ±0.5mm X.XXmm = ±0.3mm X.XXXmm = ±0.15mm				RELAY ADAPTER, STANDARD DATE: 3/31/21 SCALE: 1:1 DIM: INCHES DRAWN: KNR CHECKED: FP NEXT ASSY: - REV: 1 DWG No. SMD8543-002 USED ON: SHT 1 OF 1	