

# FS83 – Polypropylene Level Float Bulkhead Mount

Made from durable polypropylene, these liquid level sensors are mountable with a simple through-hole or M10 bulkhead brackets, and can indicate or control multiple tank levels.

## FS83

Available in either normally open (NO) or normally closed (NC) configurations, these 1" bulkhead mount float switches feature 60mm switch closure, plastic stem and M10 nut, 50 watt switch, 250 VDC max voltage, 80°C temperature max, maximum pressure of 25 PSIG.

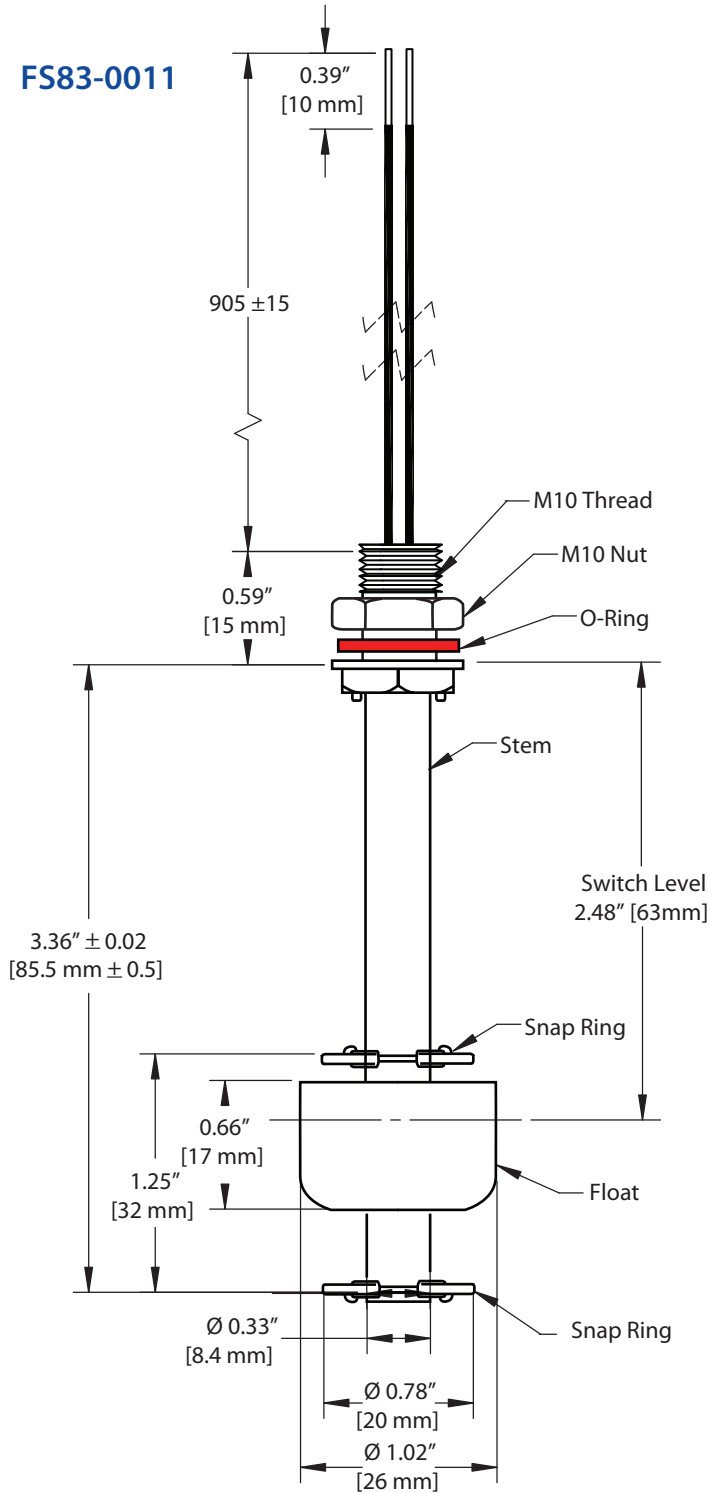
**FS83-0011** - 26 mm Polypropylene Float, 63 mm Switching Level, Normally Open

**FS83-0111** - 26 mm Polypropylene Float, 65 mm Switching Level, Normally Closed

Part Number	Switch Type	Max Switching Current	Max Switching Voltage	Max Temp	Max Pressure
FS83-0011	50 Watt (NO)	0.7 Amps	200 VDC	80° C	25 psig
FS83-0111	50 Watt (NC)	0.7 Amps	200 VDC	80° C	25 psig



**FS83-0011**



**FS83-0111**

