

# FM22 – Combination Level / Temperature Switch

Bimetal snap-action temperature switch can be used to provide temperature protection in most fluid systems. These switches are designed to be normally open (NO) or normally closed (NC) and will change state at a specified temperature.

## FM22

This Buna float switch provides an open or closed output depending on liquid level, see L1 on drawing for the switch level.

**FM22-XXXX-XX-TNC** - "Open On Rise" / Level Switch

**FM22-XXXX-XX-TNO** - "Close On Rise" / Level Switch

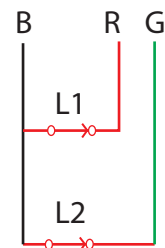
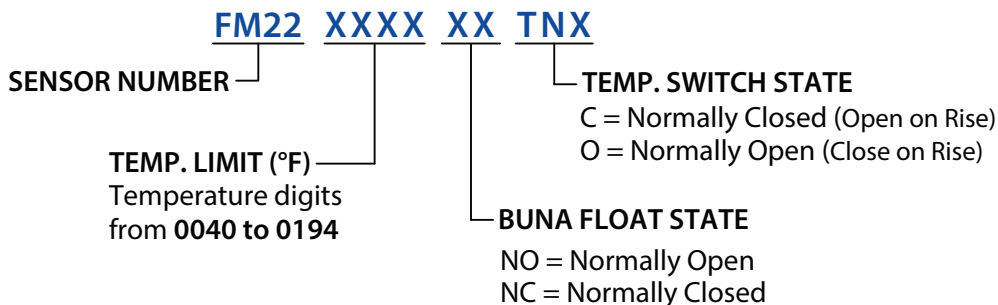


	Switch Type	Max Switching Current	Max Switching Voltage	Max Temp	Max Pressure	Specific Gravity
FM22	100 Watt (NC/NO)	0.5 Amps	200 VDC	120° C	150 psig	0.50

**Standard Features:** 18 AWG 24" Leads, Black Wire

L1	L2	TEMP SWITCH CONTACT RATINGS
NO	TNC	2.6Amps @120 VAC 8 Amps @ 12 VDC
NC	TNO	4 Amps @ 24 VDC

### Product Number Configuration



TNC Schematic Example

